

PWM-60 SERIES DRIVER

Feature:

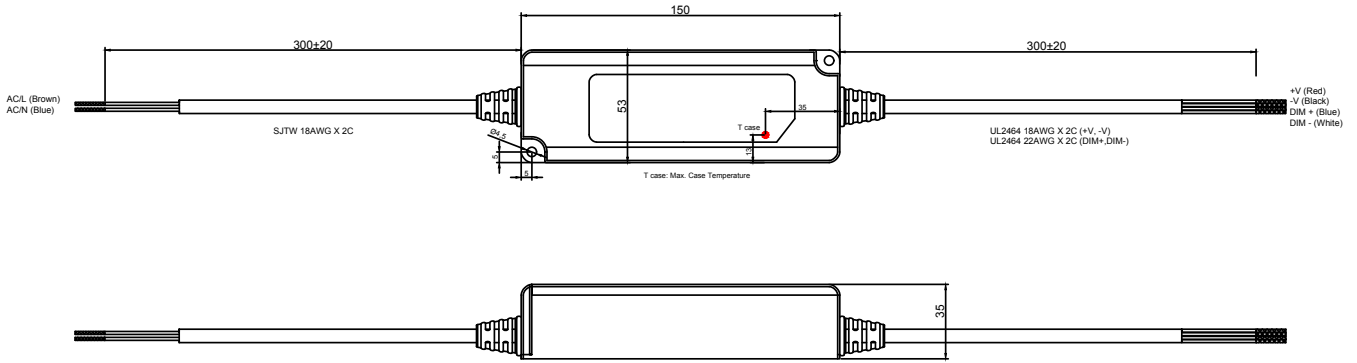
- Universal AC input/Full Range (up to 305VAC)
- Built-in active PFC function
- Constant voltage PWM style output
- Built-in 3 in 1 dimming function
- Dimming Range: 0-100%
- High efficiency up to 90%
- Protections: short circuit/over load/over voltage/ over temperature
- Suitable for dry/damp/wet locations
- Class 2 power unit
- No load power consumption <0.5W



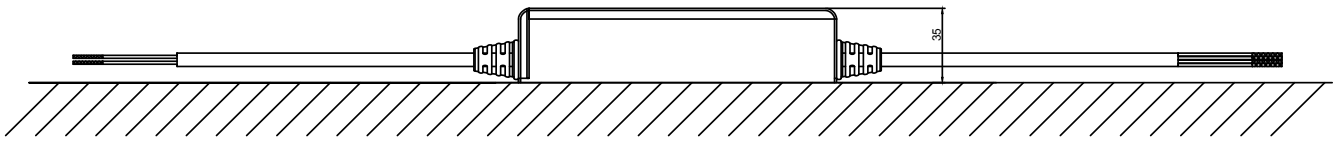
MODEL		PWM-60-12	PWM-60-24
Output	DC Voltage	12V	24V
	Voltage tolerance	±0.4%	±0.3%
	Rated Current	5A	2.5A
	PWM Tolerance	300Hz	
	Rated Power	60W	
Input	Voltage Range	90-305VAC 127-431VDC	
	Frequency Range	47 - 63HZ	
	Power Factor (Typ.)	PF ≥ 0.97/115VAC, PF>0.95/230VAC, PF>0.92/277VAC at full load	
	Full Load Efficiency (Typ.)	86%	88%
	AC Current	0.8A/115VAC 0.4A/230VAC 0.32A/277VAC	
	Inrush Current	Cold Start 50A at 230VAC	
	Max No of PSUs on 16A Circuit Break	9 units (circuit breaker of type B) / 16 units (circuit breaker type C) at 230 VAC	
	Leakage Current	< 0.25mA/277VAC	
Protection	Short Circuit	Hiccup mode, Recovers automatically after fault condition is removed	
	Over Load	108-120% rated output power	
	Over Voltage	15-17V	28-34V
Environment	Working TEMP.	-40° to +70°	
	Working Humidity	20 - 95% RH, non-condensing	
	Storage TEM. Humidity	-40° = +80°C, 10-95%RH	
	TEMP. Coefficient	±0.03%/°C (0-50°C)	
	Vibration	10-500Hz 5G 12min. 1 Cycle, period of 72min. Each along X, Y, Z axes	
Safety & EMC	Safety Standards	UL8750, CSA C22.2No.250.13-12, ENEC EN61347-1, EN61347-2-13, EN62384 independent, IP67 approved	
	Withstand Voltage	I/P-O/P:3.75KVAC	
	Isolation Resistance	I/P-O/P:100M Ohms / 500VDC /25°C / 70%RH	
	EMC EMISSION	Compliance to EN55015, EN61000-3-2Class C (≥60%load); EN61000-3-3	
	EMS IMMUNITY	Compliance to EN61000-4-2,3,4,5,6,11,EN61547, A light industry level, criteria A	
Other	Dimensions	150 x 53 x 35mm (LxWxH)	
	Packing	0.49kg; 30pcs/15.7kg/1.0CUFT	

DRIVER

DETAILED DRAWING AND DIMENSIONS:



Recommend Mounting Direction:



Dimensions in millimetres.