

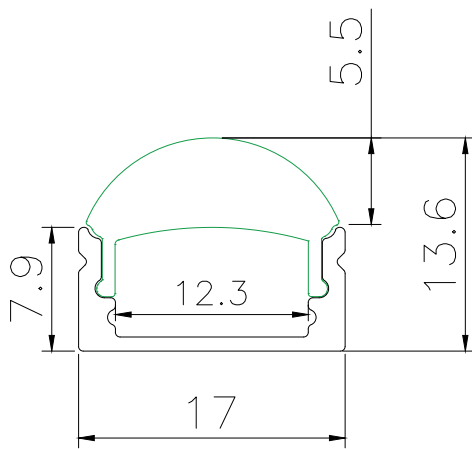
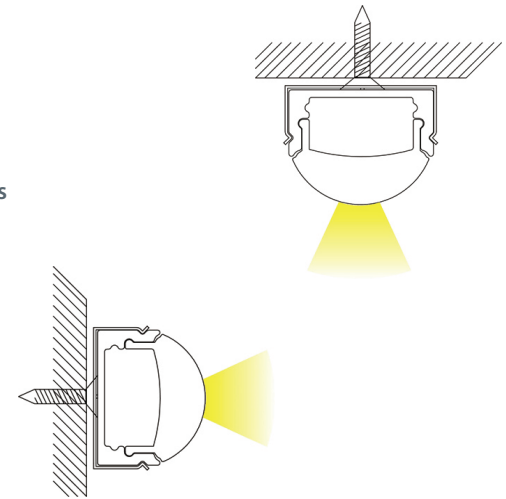
Housing Profile LL17-8



Aluminium housing profiles perfectly suited for our LED strips. Simply choose the one that best suits your installation, whether that is supplementary lighting, backlighting, cabinet lighting or guide lighting. All aluminium profiles are available with a choice of diffuser cover: Clear, Opal or Frosted. The opal cover diffuses the light across the cover nicely, whereas the frosted cover is more transparent. All profiles are supplied with a pair of end caps and mounting clips. Extra end caps and mounting clips are available separately.

ITEM DESCRIPTION:

MATERIAL: Anodised Aluminium
COVER: PMMA opal matte cover, PMMA semi clear cover, PMMA clear cover
TYPE: Recessed/Surface Mounted
RECOMMENDED LED STRIP: 60LED/s , 14W/m



ITEM COMPONENTS:



INSTALLATION CLIPS:

