

DMX DIM CONVERTER

Feature:

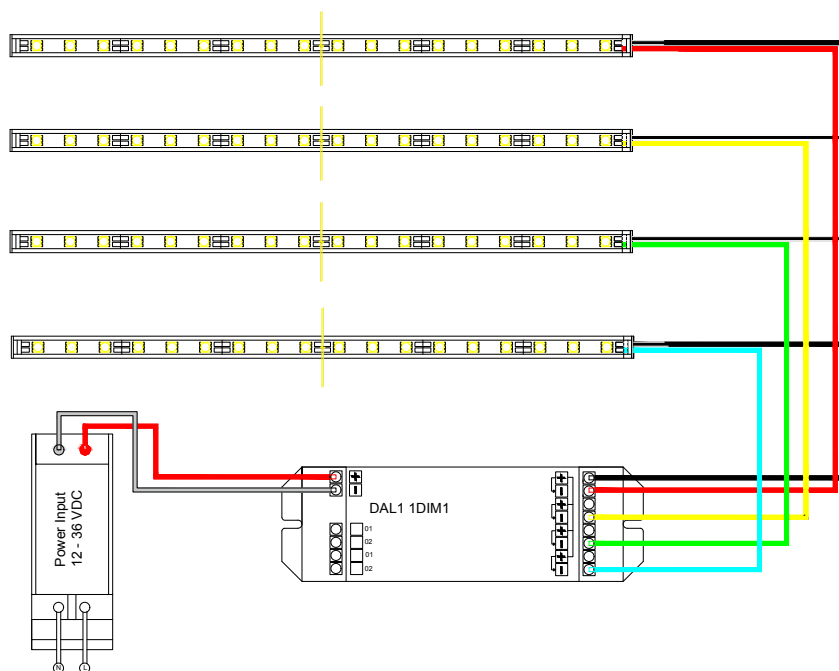
- DMX DIM suitable for indoor LED lighting
- Capable of RGB colour adjustment
- PUSH and Constant voltage dimmers avl.
- 0-100% dimming range via logarithmic characteristic, perfect for human vision
- 256 levels of grey scales with smooth dimming control
- Power repeater available for increased lengths of LED tape



MODEL		DMX DIM
Output	DC Voltage	12V
	Voltage tolerance	±0.4%
	Rated Current	10A
	Rated Power	4 x (60-180)W
	Max Load Current	4 x 5A
	Load Type	Regular LED (0.04 - 0.1W)
Input	Voltage Range	12-36V
Environment	Working TEMP.	-20° to +50°
	Tc	+75°C
Other	Dimensions	160 x 45 x 18 (LxWxH)

CONVERTER

INSTALLATION DRAWING - OPTION 1:



INSTALLATION DRAWING - OPTION 2:

